

SWISS optio clean vent



ejector

The clean vent at a glance :

- apt for continuous operation and for high throughput
- silent in use
- continuous regulation of the vacuum up to - 650 mbar
- with shut-off device and integrated overpressure valve
- option for connection of a hose or a septic fluid jar
- the application is mainly in hospitals and clinics as well as in medical practice

The field of application of the ejector **clean vent** is mainly in the area of bronchoaspiration and of surgical aspiration. The **clean vent** is suitable for continuous operation with high throughput and vacuum. The **clean vent** is fed with air from a central gas supply system and is coupled directly with the country-specific probe into the extraction socket. The **clean vent** thus generates the required vacuum.

The vacuum can be adjusted continuously by means of the regulating handle of the ejector **clean vent**. The **clean vent** has an on/off device with which the aspiration process can be interrupted without having to re-adjust the vacuum by continuing the aspiration.

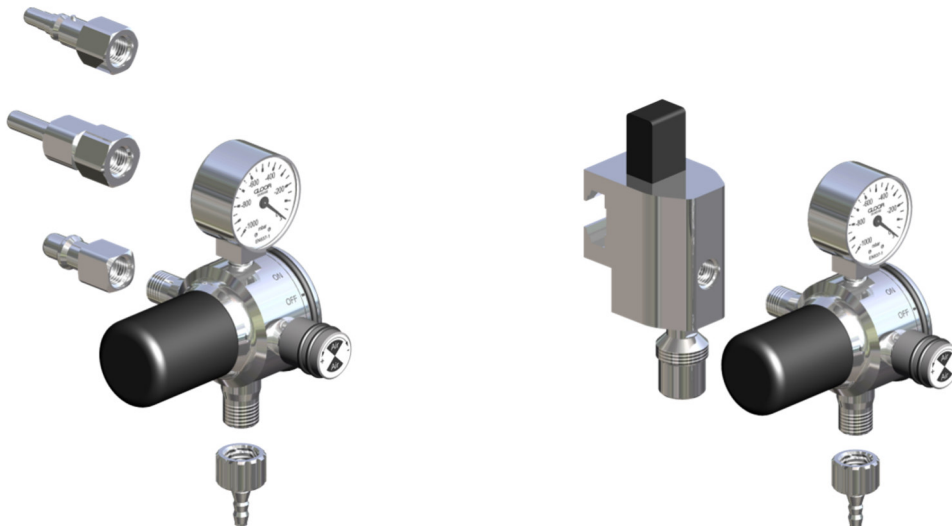
The integrated overpressure valve avoids overpressure on the side of the patient in case of faulty handling of the **clean vent**. In addition, a mechanical overflow protection or a filter can be mounted which protects the equipment from excessive aspiration.

The **clean vent** meets the requirements of EN ISO 10079-3. CE marking according to Guideline for Medical Products 93/42/EEC.

Technical data :

Construction	ejector with venturi nozzle
Supply pressure	4.5 bar +/- 0.5 bar
Vacuum regulation range	0 up to - 650 mbar
Vacuum indication	0 up to -1000 mbar
Throughput	0 – 44 l/min
Noise level	max. 55 dB[A]
Gas	Air, O ₂
Inlet	external thread G1/4", DIN, NF, AGA, BS, UNI probe (others on request), clamping rail bracket with NIST inlet
Outlet	threaded connector 9/16" UNF, hose connector 5 or 6 mm
Material	body brass, external parts nickel-plated, POM
Sealing material	Cu, POM, FKM, NBR, MVQ
Operating temperature	-20° up to +60°C
Dimensions	W x H x D: 130 x 140 x 135 mm
Weight	900 gr

Model variants GM7500 :



Necessary information when ordering :

Gas	Air, O ₂
Inlet	external thread G1/4", DIN, NF, AGA, BS, UNI probe, clamping rail bracket with NIST inlet
Outlet	9/16" UNF, hose connector 5 or 6 mm

Subject to changes. All trademarks are property of Gloor Ltd.

GLOOR

GLOOR LTD
Kirchbergstrasse 111
3401 BURG DORF
SWITZERLAND

www.gloor.ch
gloor@gloor.ch
Tel.: +41 34 427 47 47
Fax.: +41 34 423 15 46