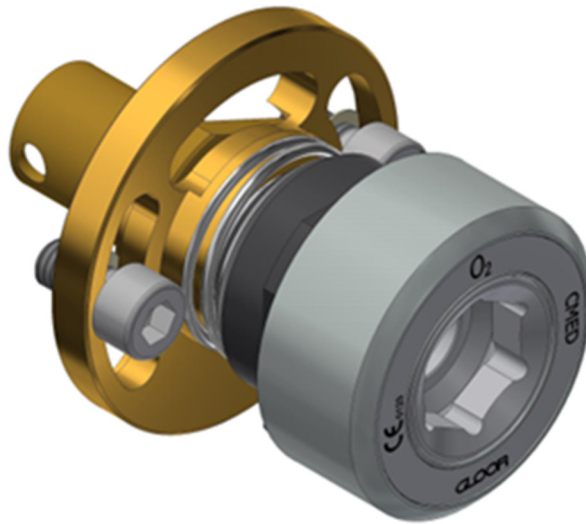


SWISS optio adapter for base CMED Generation 3 and 4 to CMED GLOOR



Adapter to
terminal unit

The SWISS optio adapter for terminal unit CMED to CMED GLOOR at a glance:

- Attractive, functional design
- Full metal and robust
- Gas coded
- Service-friendly and durable
- The areas of application are hospital, clinic and rescue services

The SWISS optio adapter for CMED generation 3 and 4 terminal units to CMED GLOOR enables the adaptation of CMED Generation 3 and 4 terminal units for medical gases and vacuum to the full metal standard CMED GLOOR.

The SWISS optio adapter for terminal unit CMED generation 3 and 4 to CMED GLOOR is used wherever CMED generation 3 and 4 terminal units are to be converted to the full metal standard CMED GLOOR. This includes terminal units in ducts, ceiling supply units and terminal units that are flush-mounted or surface-mounted. A "floating" cover ring (available as an accessory) is used to minimise the gap between the terminal unit and the front cover. This results in aesthetic and dust-repellent advantages.

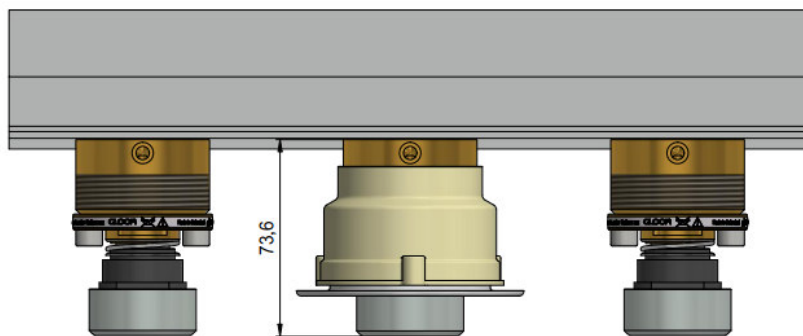
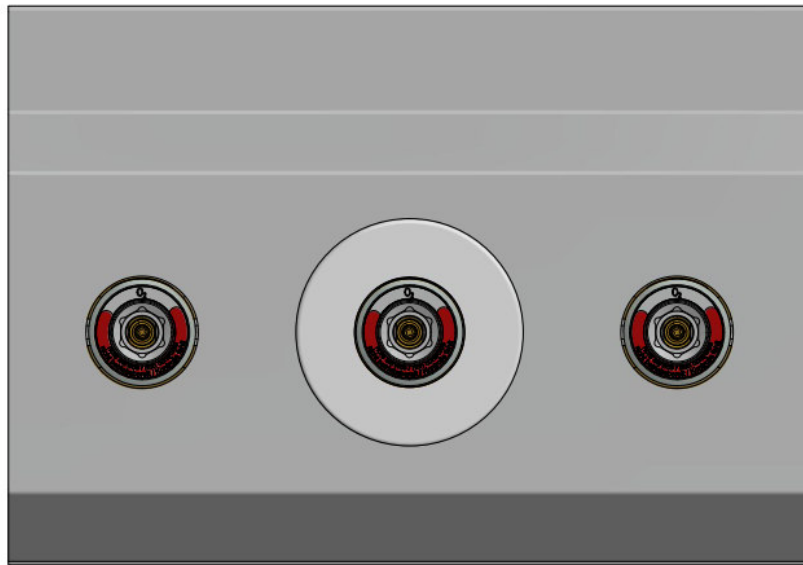
The design of the SWISS optio adapter for CMED generation 3 and 4 terminal units to CMED GLOOR is unique. The all-metal design is robust, functional and durable.

The SWISS optio adapter for terminal units CMED generation 3 and 4 to CMED GLOOR fulfils the requirements of EN ISO 9170-1 in all applicable points.

CE marking in accordance with the Medical Device Directive 93/42/EEC.

Technical data :

Pressure range	Compressed gases max. 6 bar, vacuum 0 to -1000 mbar
Connection standard	CMED
Adaptation to	base terminal unit CMED generation 3/4 (Carbamed) in ducts, ceiling supply units, in flush-mounted or surface-mounted boxes with or without cover ring
Gases	Air, O ₂ , CO ₂ , N ₂ O, vacuum
Material	Brass, outer parts nickel-plated, stainless steel, POM, EPDM
Operating temperature	-20° to +60°C
Dimensions	Length 59.5 mm x Ø48 mm (incl. gas coding)
Weight	300 g



Information required when ordering :

Gas type	Air, O ₂ , CO ₂ , N ₂ O, vacuum
Design variant	with or without cover ring
Front ring	standard Ø40 / Ø48

Subject to change without notice. All trademarks are the property of Gloor Ltd.

GLOOR

GLOOR LTD
Kirchbergstrasse 111
3401 BURG DORF
SWITZERLAND

www.gloor.ch
gloor@gloor.ch
Tel.: +41 34 427 47 47
Fax: +41 34 423 15 46