

SWISS optio accessories



Y-manifold

The **Y-manifold** at a glance :

- compact and robust Y-manifold
- for connection to a medical terminal unit
- also available with extended probe and satisfying various national standards
- the usage site is the clinic

The **Y-manifold** serves for connecting a maximum of two pieces of equipment to a terminal unit for medical gas.

Note that the flow rate from the two outlets may not exceed the delivery rate of the gas terminal unit at the inlet.

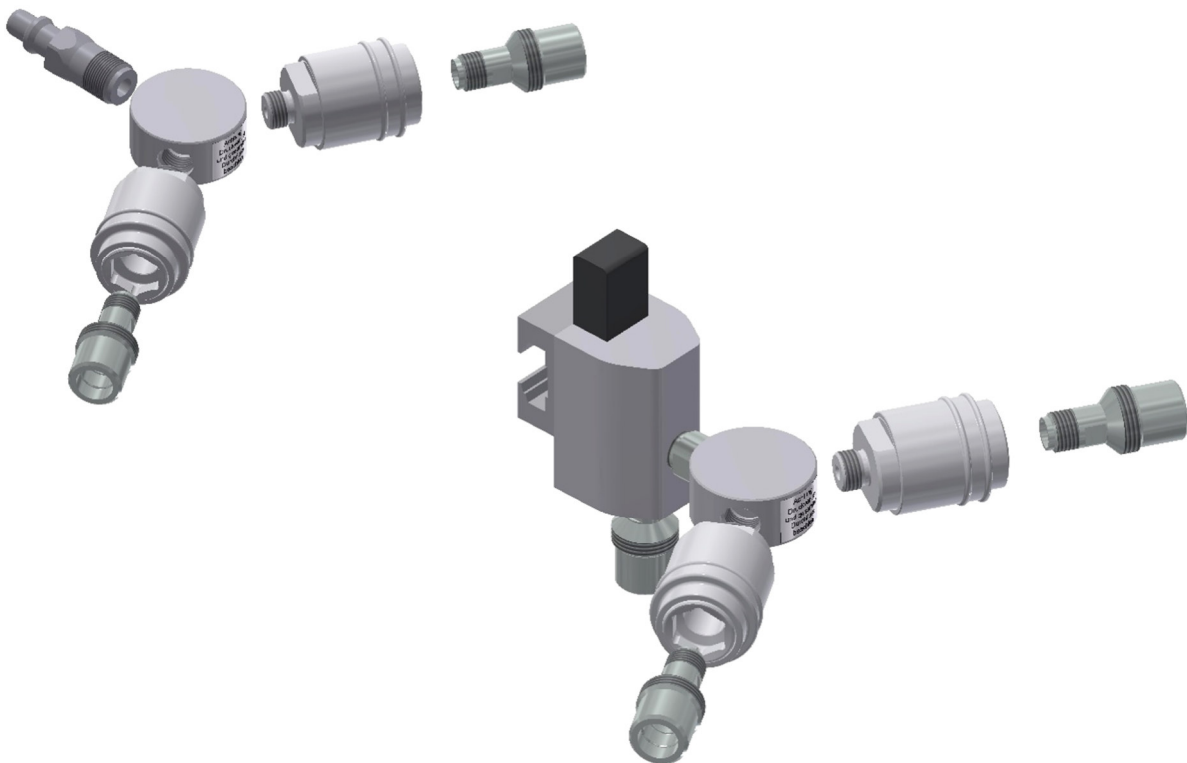
The **Y-manifold** is connected by means of the gas-specific probe to the appropriate terminal unit, branching the gas in turn to two more terminal units to which equipment can be connected in turn by means of a gas-specific probe. Also available in version with shut-off valves (with male thread or with hose nipples).

CE marking according to the Guideline for Medical Products 93/42/EEC.

Technical data :

Classification	Equipment class according CE Guideline 93/42 EEC Annex IX, class IIa
UMDNS-Code	15-042 (nomenclature for medical products)
Supply pressure	medical gases 4-5 bar, vacuum max. -600 mbar
Gas	Air, O ₂ , N ₂ O, CO ₂ , vacuum
Inlet	DIN, Carbamed, Medap probe (others on request), or with clamping rail bracket with NIST housing on outlet
Outlet	Quick coupling DIN (others on request), NIST connectors according to ISO 5359, shut-off valves with hose nipples
Material	Aluminium, stainless steel, brass, sintered bronze
Sealing material	PA
Operating temperature	-20 up to +60°C
Dimensions	W × H × D: 118 × 36 × 101 mm (dependant on version)
Weight	400 g (dependant on version)

Model variants Art.GM91xx :



Necessary information when ordering :

Gas	AIR, O ₂ , N ₂ O, CO ₂ , vacuum
Inlet	DIN, Carbamed, Medap probe (others on request), clamping rail bracket
Outlet	quick coupling DIN (others on request), NIST, shut-off valves

Subject to changes. All trademarks are property of Gloor Ltd.